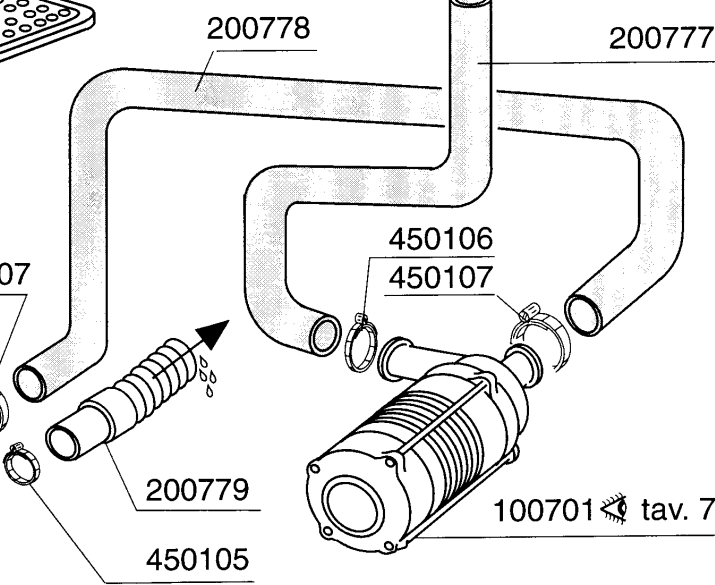
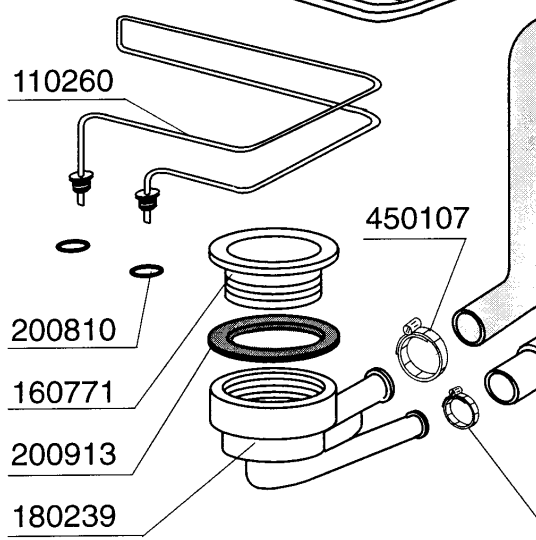
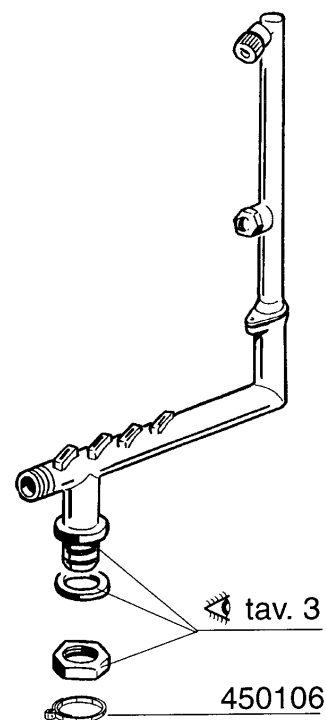
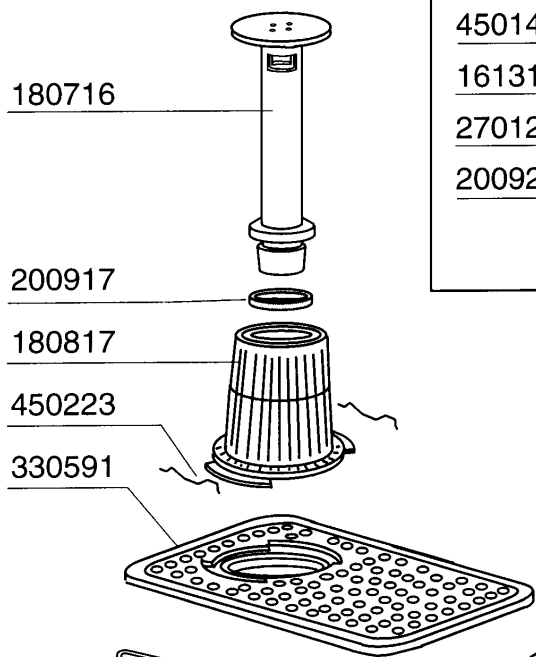
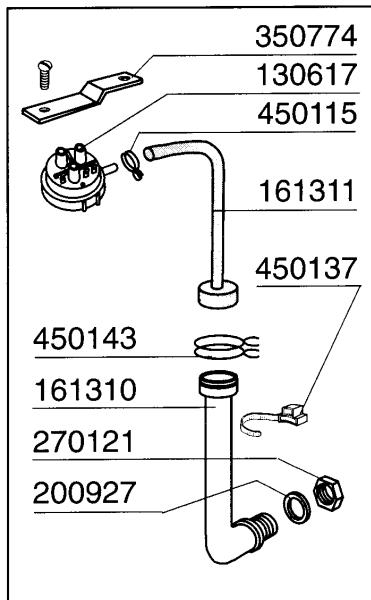
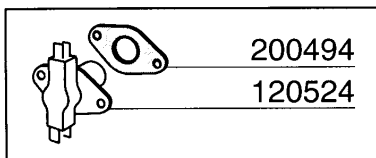


01 - 1999 S. AG.

2 - Hood

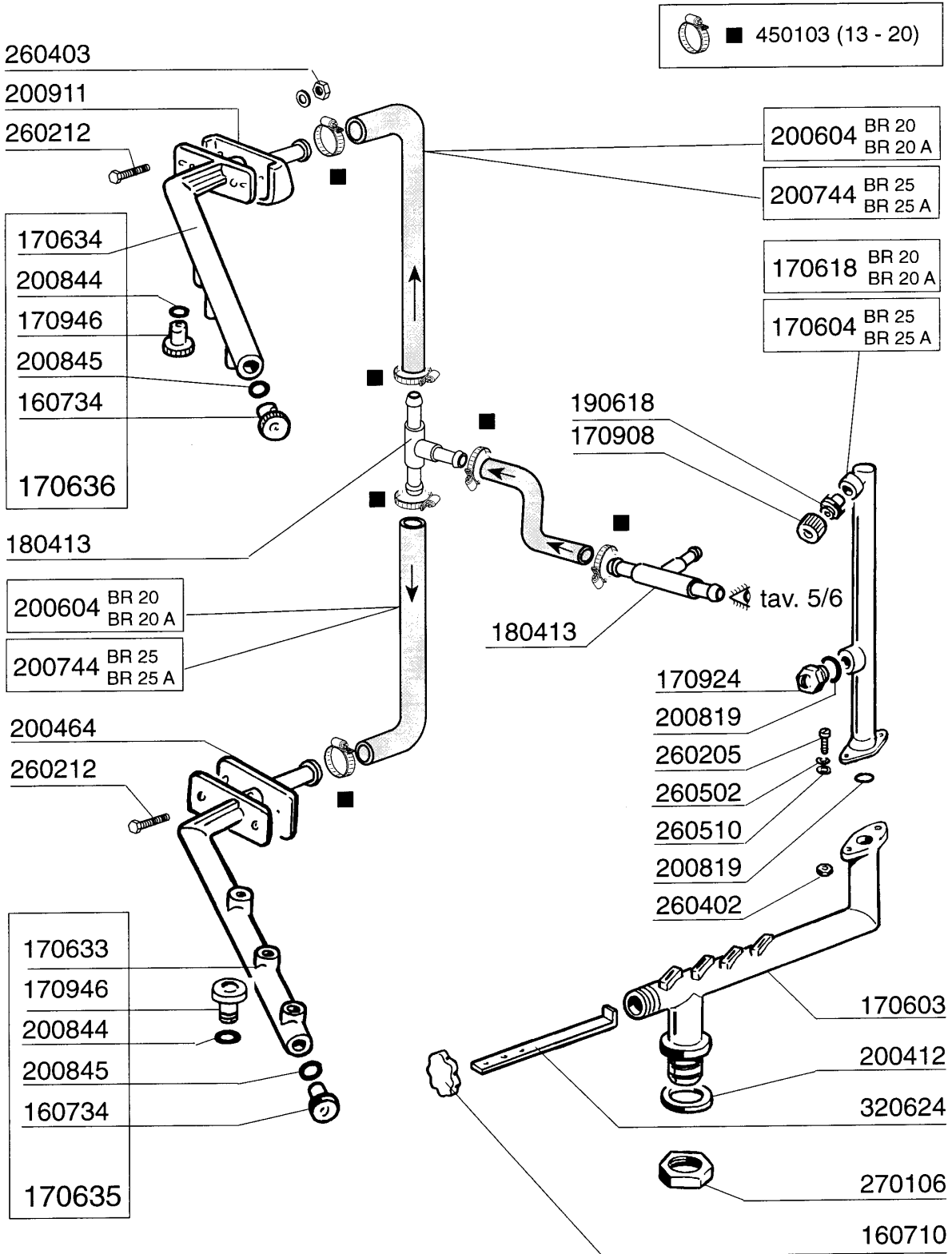
CODE	DESCRIPTION
150818	CABLE HOLDER PG 13,5
160755	PLUG FOR MACHINES WITHOUT SOFT
160772	PLUG FOR DOOR (BR-BC-FC)
160836	DOOR WASHER BR-BC-FC
160837	GASKET FOR TIE ROD BC-FC
160909	SUPPORT FOR GASKET
180506	DOOR CATCH BR-BC-FC
190644	SPACING NUT FOR TIE ROD BR-BC-
200489	GASKET 81X68X3
210204	FOOT FOR B20-10-11-12-15 ‡
260139	SCREW TE 5X16
260238	M4 X 10 MUSH/HD SCREW
320388	TOP PANEL BR-BC-FC43
321156	COVER FOR RINSE AID CONTAINER
322906	DOOR BR20-BR20A
322907	DOOR BR25-BC25-BC25HR
330227	DOOR ROD FOR BR-BC-FC43
341454	HOOD BR20
341455	HOOD BR25
341921	DOOR PIN BR-BC
341922	PIN FOR TIE ROD DOOR BR-BC
351258	LOWER FRONT PANEL BR-BC-FC43
351259	CENTRAL FRONT PANEL BR-BC-FC43
390138	LOWER BACK PANEL BR/BC20-25
390139	BACK PANEL BR20
390140	BACK PANEL BR/BC25
390142	LOWER COVER BR-BC-FC43
411004	PERMANENT MAGNET FOR MICROSWIT
441107	DOOR HINGE BR-BC-FC LEFT
441108	DOOR HINGE BR-BC-FC RIGHT
460348	BR20 NAME
460349	BR25 NAME
460352	BR20A NAME
460353	BR25A NAME



3 - Tank

CODE	DESCRIPTION
100701	PUMP HP 0,2 220/240V-50-2228
110260	HEAT.ELEMENT 1275W 230V BR-BC-
120524	TANKTHERMOSTAT GLASSWASHER
130617	PRESSURE SWITCH 60-40 BC-BR-FC
160771	NUT
161310	AIR CHAMBER FOR GLASSWASHERS B
161311	HOSE FOR AIR CHAMBER BC-BR-AC9
180239	SUCTION BASIN BR-BC-FC43
180716	OVERFLOW PIPE NR-BC-FC43
180817	SUCTION FILTER FOR BR-BC-FC43
200494	GASKET FOR TANKTHERMOSTAT BT
200777	OUTLET HOSE FOR "BR" PUMP
200778	DELIVERY HOSE BR-BC-FC43
200779	DRAIN HOSE FOR BR-BC-FC43
200810	O-RING 2,62X9,92X15,6 F.GLASSW
200913	GASKET FOR SUCTION BASIN BR-BC
200917	GASKET FOR OVERFLOW PIPE BR-BC
200927	GASKET FOR AIR TRAP
270121	NUT FOR AIR TRAP
330591	TANK FILTER BR-BC-FC43
350774	BRACKET
450105	CLAMP FE ZN. 26-38 H=12,2
450106	CLAMP FE ZN 32-44 H=12,2
450107	CLAMP FE ZN 38-50 H=12,2
450115	ELASTIC CLAMP D.8,3/7,8
450137	COLLAR CONNECTION WITH BASE 31
450143	CLAMP D.39,7 X 37,7
450223	RETAIN.SPRING FOR FILTER BC-BR

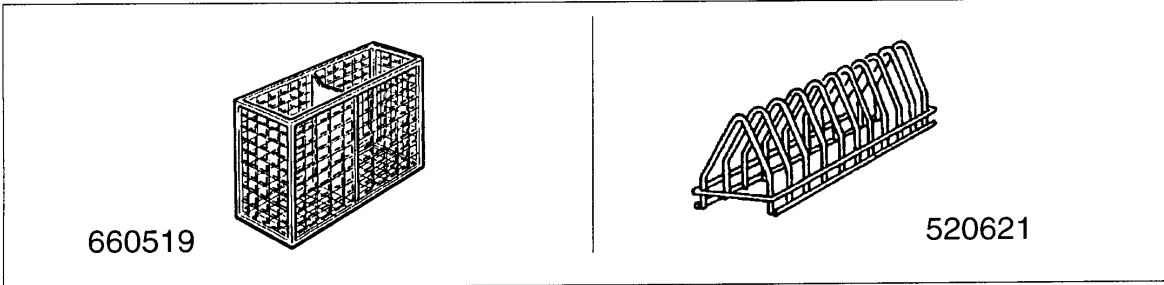
4 - Wash/Rinse column



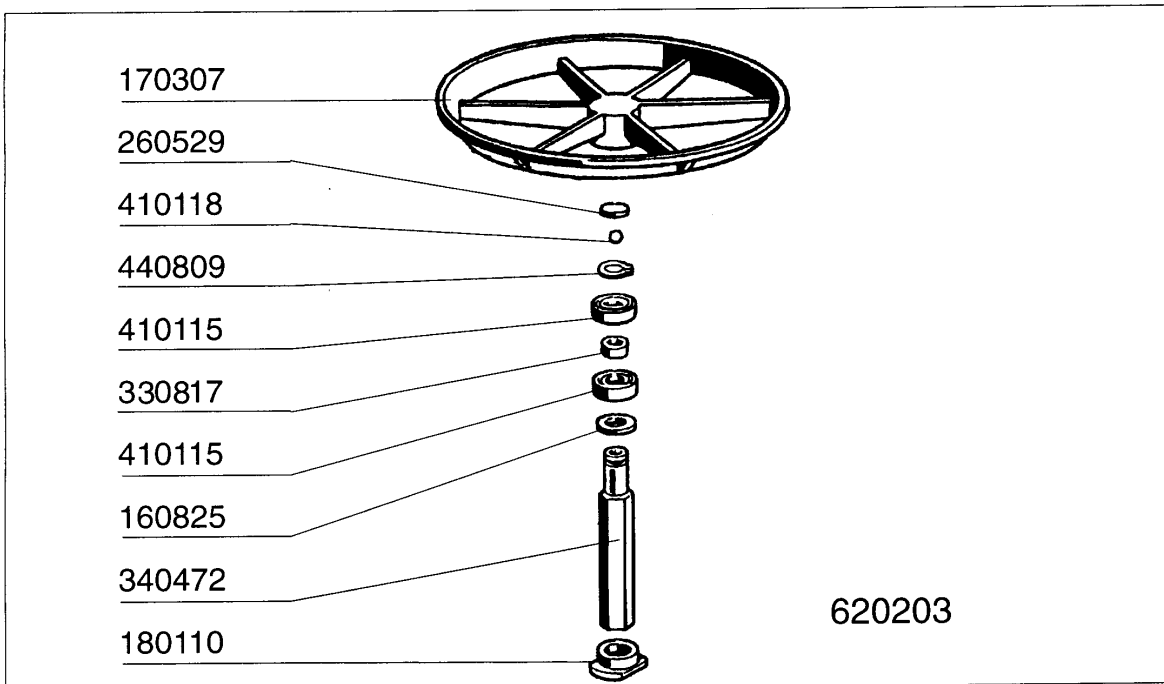
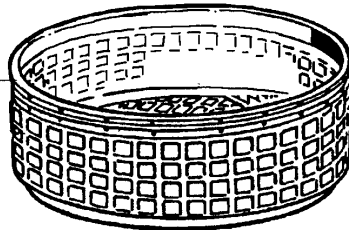
01 - 1999 S. AG.

4 - Wash/Rinse column

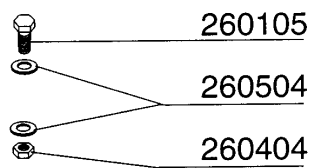
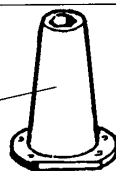
CODE	DESCRIPTION
160710	PLUG OF WASHPIPE B23-27-10-11
160734	END PLUGS RINSE ARM
170603	LOWER WASH PIPE B23-27-10-11
170604	SIDE WASH PIPE B23-12T
170618	UPPER WASH PIPE B20-B10T
170633	LOWER RINSE ARM B10T-BR
170634	UPPER RINSE ARM B10T-BR
170635	LOWER RINSE ARM ASSEMBLY B10-1
170636	UPPER RINSE ARM ASSEMBLY B10-1
170908	NOZZLE WASH B23-10-12
170924	NOZZLE WASH B23-10-11-12
170946	RINSE JET/RINSE ARM B-F
180413	TEE NIPPLE D.11,5 - RINSE ASSE
190618	DEFLECTOR OF WASHNOZ. B23-10-1
200412	GASKET DRAIN 1 1/2" 45X33X3
200464	GASKET 60X30 FOR RINSE HOSE B1
200604	RINSE HOSE B23-B11-2-5
200744	HOSE FOR WATER SOFTENER B12‡
200819	O-RING 17,13X21,65 3068
200844	O RING 2X9,5X13,5
200845	O RING 109 2,62X9,13X14,37
200911	GASKET FOR UPPER RINSE ARM "BR
260205	SCREW TCP 4X16
260212	SCREW TCP 5X20
260402	STAINLESS STEEL NUT D4 UNI 55
260403	NUTS D.5
260502	S/S FLAT WASHER D.4
260510	GROWER WASHER D.4
270106	LOCK NUT 1"
320624	PLATE LOWER WASHPIPE B10-12T
450103	CLAMP FE ZN. 13-20 H=9



660703



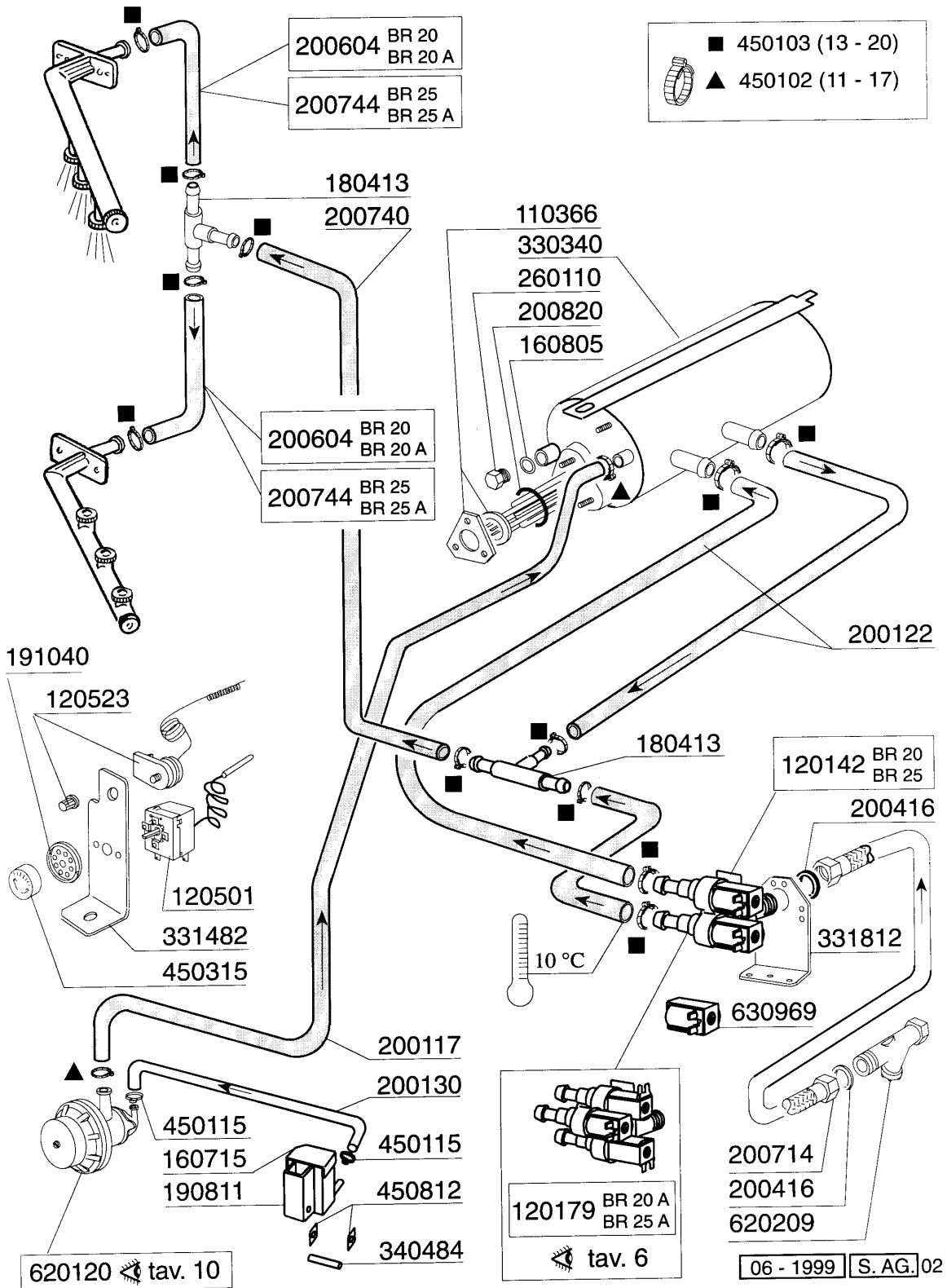
191065



5 - Rack

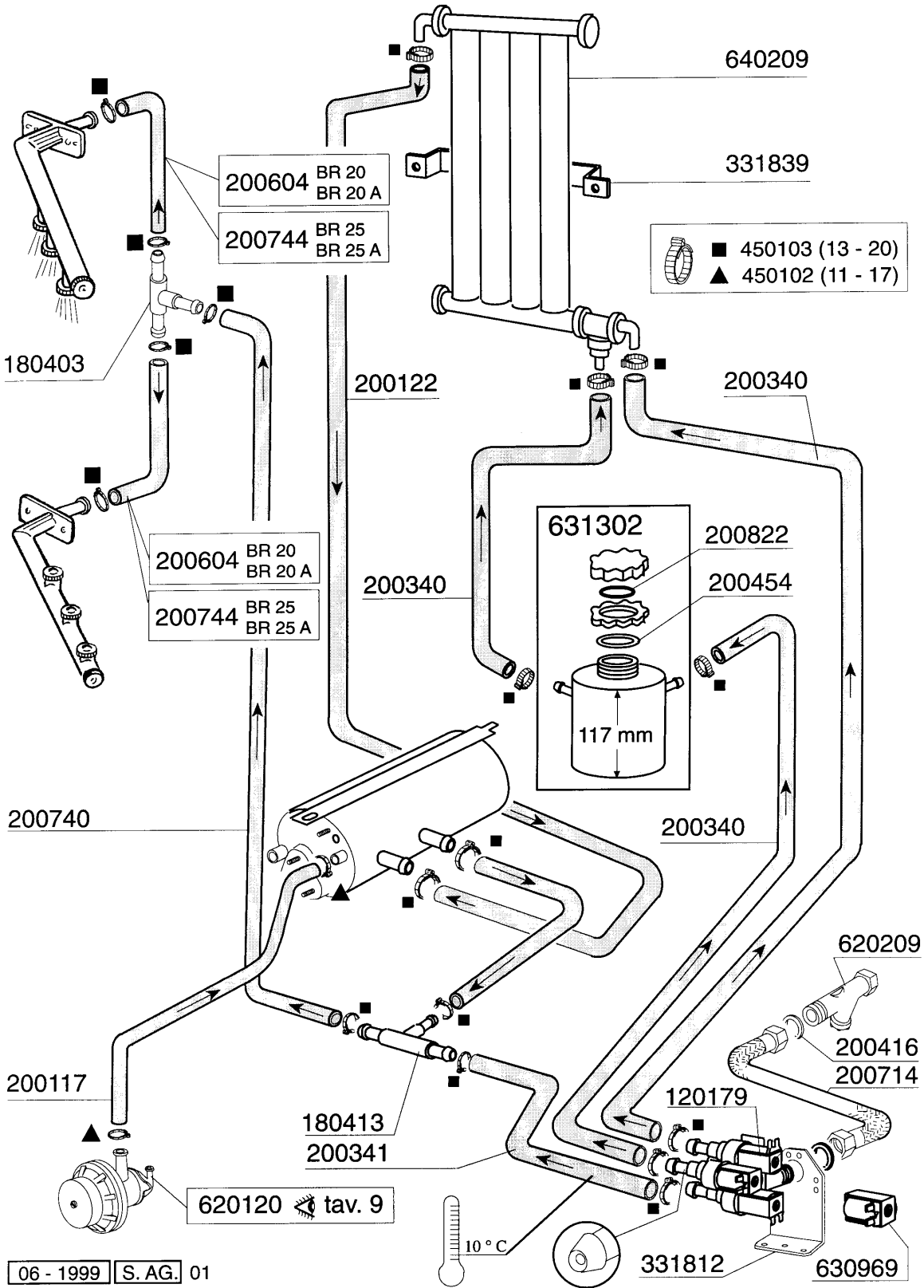
CODE	DESCRIPTION
160825	WASHER 30X12X1 TEFL F.RACKSUPP
170307	RACK SUPPORT B20-B12T
180110	LOCK NUT F.RACKSUPP.B23
191065	SUPPORT FOR RACK SUPPORT "BR"
260105	SCREW TE 6X20
260404	STAINLESS STEEL NUTS D6 UNI 55
260504	ST/ST FLAT WASHER D6
260529	WASH RACKSUPP.WASHER D24 STAIN
330817	BEARING SPACER GLASSWASH.
340472	SPINDLE RACK SUPPORT GLASSWASH
410115	BALL BEARING 32X12X10 B23/S/S9
410118	BALL D.7MM STAINL.STEEL
440809	SNAP RING D.12 STAINL.ST
520621	SAUCERS INSERT
620203	RACK SUPP. B10-11-12
660519	2-PLACES CUTLERY HOLDER
660703	ROUND RACK FOR GLASSWASHERS

6 - Rinse assembly



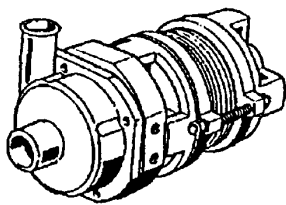
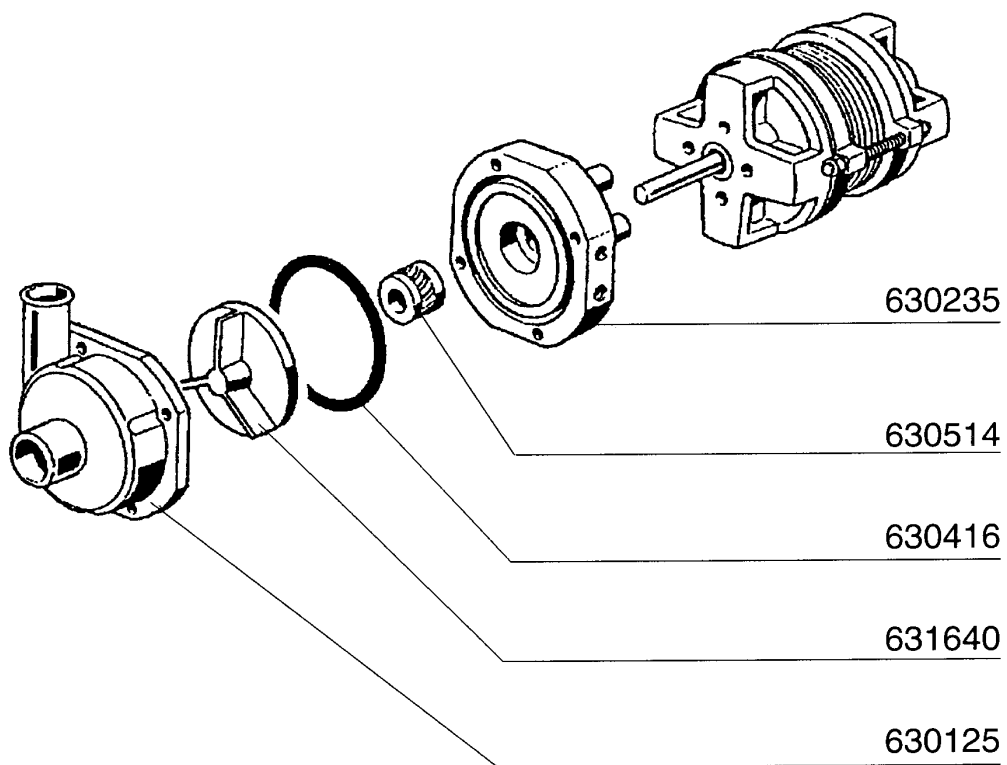
6 - Rinse assembly

CODE	DESCRIPTION
110366	HEAT.ELEM./BOILER 3200W 230V
120142	SOLENOID VALVE 90°2WAYS 220V
120179	3-WAYS SOLENOID VALVE 90°
120501	THERMOSTAT 30/90°C
120523	SAFETY THERMOSTAT 110°
160715	COVER FOR RINSE AID CONTAINER
160805	GASKET D.8
180413	TEE NIPPLE D.11,5 - RINSE ASSE
190811	RINSE INJECTOR
191040	FRAME F.THERMOSTAT KNOB
200117	RUBBER HOSE 7X16
200122	HOSE 11X19
200130	RINSE AID INJECTOR SUCTION HOS
200416	GASKET D. 3/4"
200604	RINSE HOSE B23-B11-2-5
200714	GLASSWASHER INLET HOSE
200740	RINSE CONNECTING HOSE B12 ‡
200744	HOSE FOR WATER SOFTENER B12‡
200820	O-RING151 46,99X5,33X57,6
260110	SCREW TE 8X10
330340	BOILER BR-BC-FC43
331482	BRACKET FOR 2 THERMOST. B-F20
331812	BRACKET F.SOLEN.VALV BT
340484	SHAFT F. RINSE AID CONTAINER
450102	CLAMP FE ZN 11-17 H=9
450103	CLAMP FE ZN. 13-20 H=9
450115	ELASTIC CLAMP D.8,3/7,8
450315	KNOB F. THERMOSTAT 90°
450812	SPRING FOR SPINDLE (CODE NO.34
620120	RINSE AID INJECTOR
620209	INLET WATER FILTER
630969	COIL S4216 220/50HZ



7 - Water softener

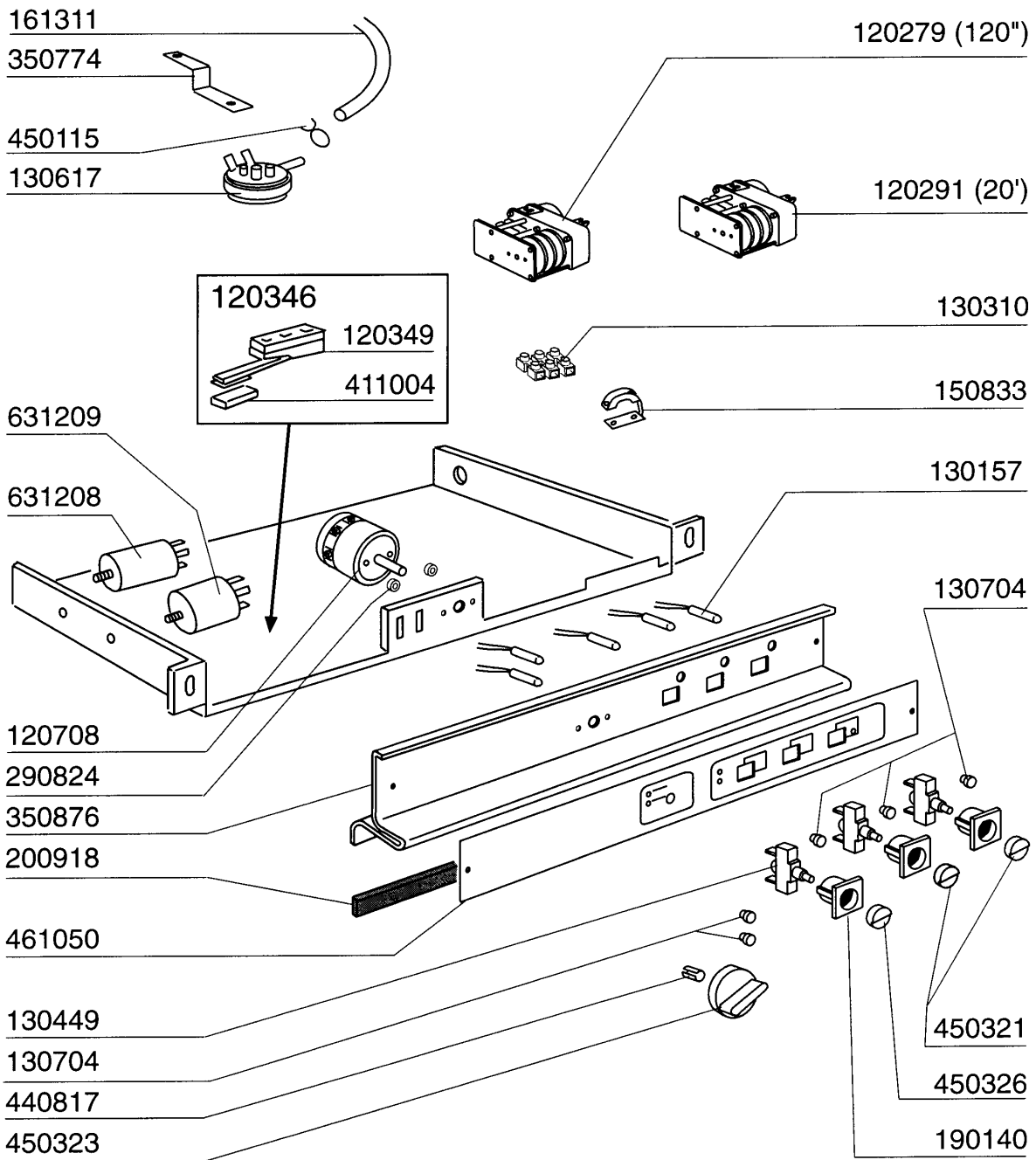
CODE	DESCRIPTION
120179	3-WAYS SOLENOID VALVE 90°
180403	TEE-NIPPLE F2-F300-B10-11
180413	TEE NIPPLE D.11,5 - RINSE ASSE
200117	RUBBER HOSE 7X16
200122	HOSE 11X19
200340	SALT CONTAINER HOSE B25-7-12
200341	WATER SOFTENER HOSE B25-7-B12
200416	GASKET D. 3/4"
200454	GASKET F. SALT CONT.
200604	RINSE HOSE B23-B11-2-5
200714	GLASSWASHER INLET HOSE
200740	RINSE CONNECTING HOSE B12 ‡
200744	HOSE FOR WATER SOFTENER B12 ‡
200822	PLUG GASKET OF SALT CONTAINER
331812	BRACKET F.SOLEN.VALV BT
331839	BRACKET FOR WATER SOFTENER
450102	CLAMP FE ZN 11-17 H=9
450103	CLAMP FE ZN. 13-20 H=9
620120	RINSE AID INJECTOR
620209	INLET WATER FILTER
630969	COIL S4216 220/50HZ
631302	SALT CONTAINER
640209	WATER SOFTENER (4 COLUMNS)



100701 220/240 V 50 Hz HP 0,2 Kw 0,15

8 - Wash pump

CODE	DESCRIPTION
100701	PUMP HP 0,2 220/240V-50-2228
630125	VOLUTE 0,12/0,3(2212-29)
630235	PUMP COVER 0,12/0,3 2212-19
630416	OR FOR VOLUTE 0,12/0,3
630514	PUMP SEAL FIR4208
631640	IMPELLER HP0,20/2212-8/5HZ

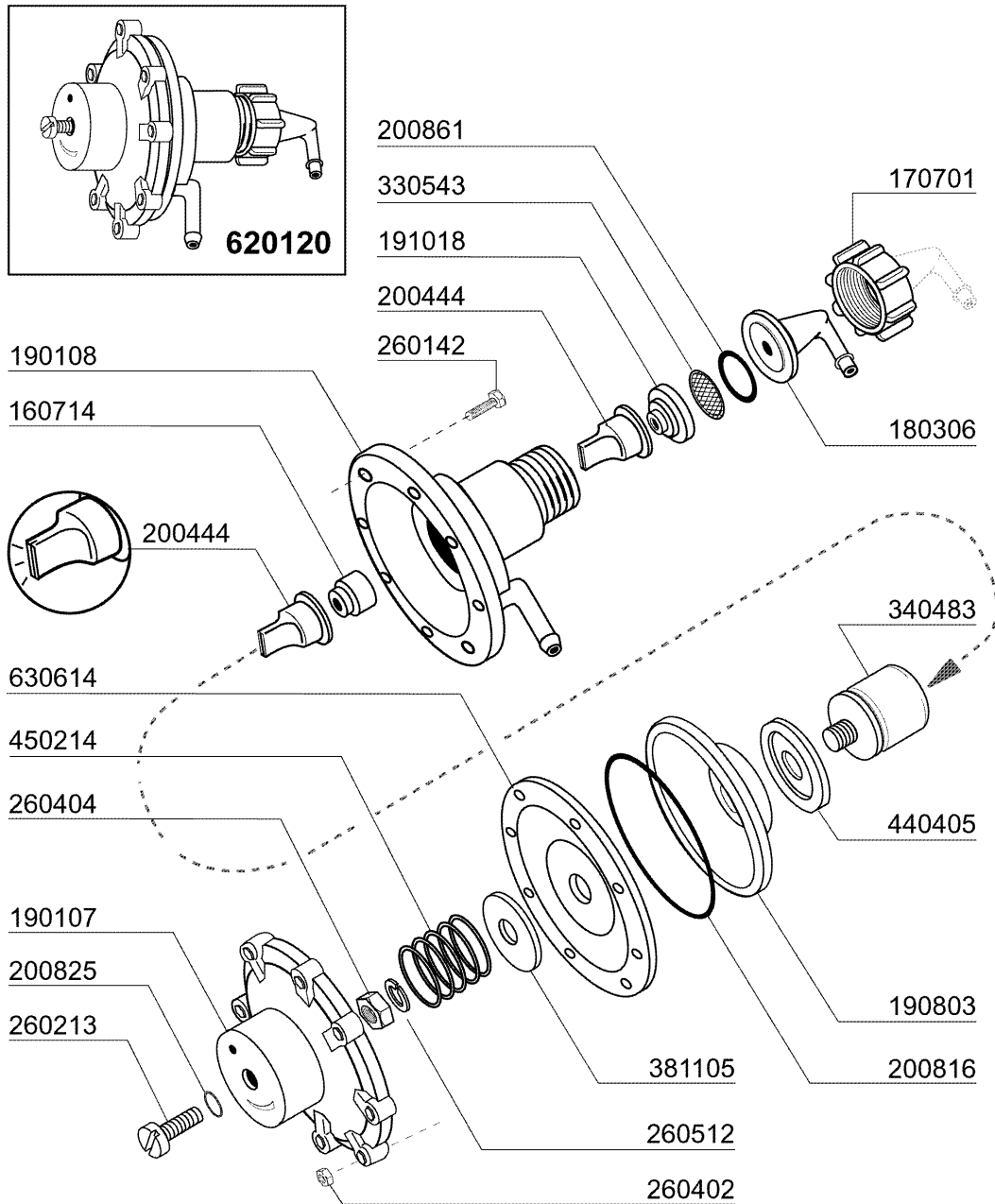


01 - 1999 S.AG. 01

9 - Control box BRA

CODE	DESCRIPTION
120279	TIMER 120" BR-BC
120291	REGENERATION TIMER 20'
120346	DOOR MICROSWITCH WITH MAGNET
120349	DOOR MICROSWITCH BR-BC-FC43
120708	SWITCH 16 AMP 3 POS.
130157	GREEN LED FOR BR-BC-C-SERIES -
130310	TERMINAL BLOCK 3 POSITIONS
130449	PUSH BUTTON BR-BC-FC
130617	PRESSURE SWITCH 60-40 BC-BR-FC
130704	GREEN COLOUR.IND.LAMP COVER
150833	CABLE HOLDER BC/BR
161311	HOSE FOR AIR CHAMBER BC-BR-AC9
190140	BUTTON HOLDER BR-BC-FC
200918	DOOR GASKET BR-BC-FC43
290824	DISTANCE PIECE FOR BR-BC-FC SW
350774	BRACKET
350876	SUPPORT FOR CONTROL PANEL BRA-
411004	PERMANENT MAGNET FOR MICROSWIT
440817	SNAP RING LSCB/1853/17/00
450115	ELASTIC CLAMP D.8,3/7,8
450321	GREY COVER FOR PUSH BUTTON BR-
450323	KNOB FOR BC-BR-C95-C155
450326	PUSH BUTTON "CYCLE" GREEN
461050	PLATE BR/A-BC/A-FC43A
631208	CONDENSER 5MF.450V
631209	ANTI-NOISE FILTER

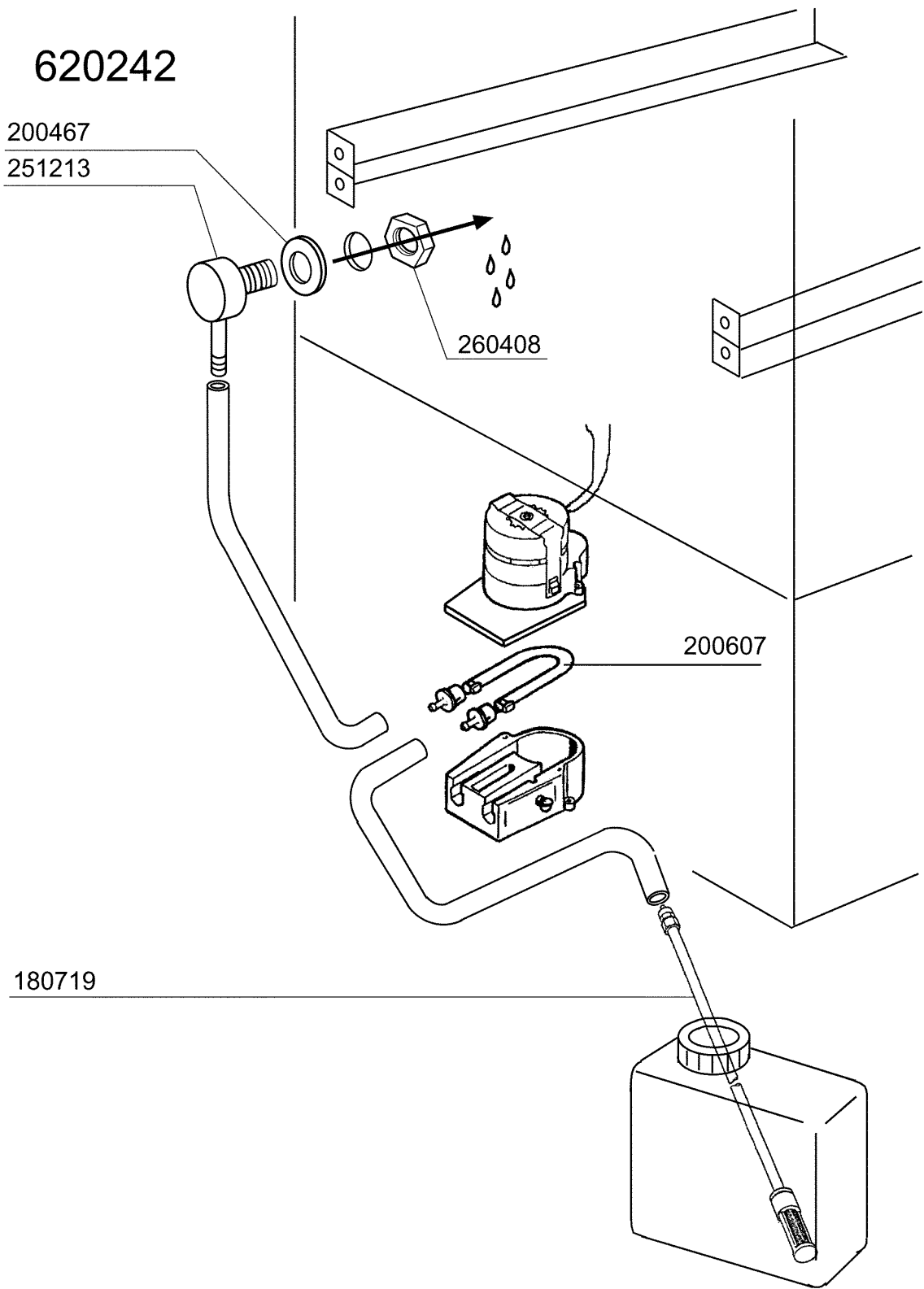
10 - Rinse aid injector



02 - 2004 | S. AG.

10 - Rinse aid injector

CODE	DESCRIPTION
160714	PLUG FOR RINSE AID INJECTOR MO
170701	LOCK NUT 1/2" F.INJECTOR
180306	NIPPLE F.RINSE AID INJECTOR
190107	COVER FOR RINSE AID DISPENSER
190108	VOLUTE FOR RINSE AID DISPENSER
190803	GASKET SUPPORT RING F.INJECT
191018	FILTER SUPPORT RINSE AID INJEC
200444	SUCTION VALVE RINSE INJECTOR
200816	O-RING 2,5X59,2X64,2 RINSE INJ
200825	O-RING 3X5X11 RINSE INJECTOR
200861	O-RING 14X18X2
260142	SCREW TE 4X16
260213	SCREW TCP 5X25
260402	STAINLESS STEEL NUT D4 UNI 55
260404	STAINLESS STEEL NUTS D6 UNI 55
260512	ST/ST GROWER WASHER D6
330543	FILTER RINSE AID INJECTOR D.17
340483	PISTON FOR RINSE AID DISPENSER
381105	DIAPHRAGME DISC
440405	GASKET FOR RINSE AID INJ.
450214	SPRING RINSE AID INJECTOR
620120	RINSE AID INJECTOR
630614	DIAPHRAGM RINSE INJECTOR



11 - Detergent dispenser

CODE	DESCRIPTION
180719	DETERGENT DISPENSER SUCTION HO
200467	DUTRAL GASKET F. AIR TRAP
200607	DETERGENT DISPENSER HOSE
251213	INJECTIOR S/S FOR DETERGENT IN
260408	S/S NUTS D.12
620242	DETERGENT INJECTOR (KIT)